



- Features :
  - Universal AC input / Full range
  - High efficiency up to 89%
  - Adjustable output voltage and current level
  - Protections: Short circuit / Over current / Over voltage / Over temperature
  - Cooling by free air convection
  - Built-in constant current limiting circuit
  - Fully isolated plastic case with terminal block style of I/O
  - Built-in active PFC function, comply with BS EN/EN61000-3-2 class C ( $\geq 75\%$  load)
  - Class 2 power unit
  - Pass LPS
  - 100% full load burn-in test
  - High reliability
  - Suitable for LED lighting and moving sign applications (Note.2)
  - Compliance to worldwide safety regulations for lighting
  - 2 years warranty



■ GTIN CODE

MW Search: <https://www.meanwell.com/serviceGTIN.aspx>



SPECIFICATION

| MODEL           | PLC-60-12                                   | PLC-60-15  | PLC-60-20    | PLC-60-24                                      | PLC-60-27      | PLC-60-36      | PLC-60-48      |                |
|-----------------|---|--|--------------|--|----------------|----------------|----------------|----------------|
| OUTPUT          | DC VOLTAGE                                  | 12V  | 15V          | 20V  | 24V            | 27V            | 36V            | 48V            |
|                 | CONSTANT CURRENT REGION Note.6              | 8.4 ~ 12V  | 10.5 ~ 15V   | 14 ~ 20V                                       | 16.8 ~ 24V     | 18.9 ~ 27V     | 25.2 ~ 36V     | 33.6 ~ 48V     |
|                 | RATED CURRENT                               | 5A   | 4A           | 3A   | 2.5A           | 2.3A           | 1.7A           | 1.3A           |
|                 | CURRENT RANGE                               | 0 ~ 5A   | 0 ~ 4A       | 0 ~ 3A   | 0 ~ 2.5A       | 0 ~ 2.3A       | 0 ~ 1.7A       | 0 ~ 1.3A       |
|                 | RATED POWER                                 | 60W  | 60W          | 60W  | 60W            | 62.1W          | 61.2W          | 62.4W          |
|                 | RIPPLE & NOISE (max.) Note.2                | 2Vp-p  | 2.4Vp-p      | 1.8Vp-p  | 2.4Vp-p        | 2.7Vp-p        | 3.6Vp-p        | 4.6Vp-p        |
|                 | VOLTAGE ADJ. RANGE Note.5                   | 11.5 ~ 13V   | 14.5 ~ 16.2V | 19.5 ~ 22V                                     | 24 ~ 26V       | 25 ~ 30V       | 32.5 ~ 39V     | 43.6 ~ 51.8V   |
|                 | CURRENT ADJ. RANGE Note.5                   | 3.75 ~ 5.15A   | 3 ~ 4.12A    | 2.25 ~ 3.09A                                   | 1.875 ~ 2.575A | 1.725 ~ 2.369A | 1.275 ~ 1.751A | 0.975 ~ 1.339A |
|                 | VOLTAGE TOLERANCE Note.3                    | $\pm 10\%$   |              |  |                |                |                |                |
|                 | LINE REGULATION                             | $\pm 3.0\%$  |              |  |                |                |                |                |
| LOAD REGULATION | $\pm 5.0\%$                                 |  |              |  |                |                |                |                |
| SETUP TIME      | 500ms / 230VAC 3000ms / 115VAC at full load |  |              |  |                |                |                |                |
| INPUT           | VOLTAGE RANGE Note.4                        | 90 ~ 264VAC  |              | 127 ~ 370VDC                                   |                |                |                |                |
|                 | FREQUENCY RANGE                             | 47 ~ 63Hz  |              |  |                |                |                |                |
|                 | POWER FACTOR (Typ.)                         | PF>0.92/115VAC, PF>0.9/230VAC at full load (Please refer to "Power Factor Characteristic" curve)                   |              |  |                |                |                |                |
|                 | TOTAL HARMONIC DISTORTION                   | THD< 20% when output loading $\geq 75\%$ at 115VAC/230VAC input  |              |  |                |                |                |                |
|                 | EFFICIENCY (Typ.)                           | 86%  | 86%          | 87.5%  | 87%            | 88%            | 89%            | 89%            |
|                 | AC CURRENT (Typ.)                           | 0.8A/115VAC  |              | 0.4A/230VAC                                    |                |                |                |                |
|                 | INRUSH CURRENT (Typ.)                       | COLD START 35A(twidth=35 $\mu$ s measured at 50% Ipeak) at 230VAC  |              |  |                |                |                |                |
|                 | MAX. No. of PSUs on 16A CIRCUIT BREAKER     | 32 units (circuit breaker of type B) / 32 units (circuit breaker of type C) at 230VAC                              |              |  |                |                |                |                |
| PROTECTION      | LEAKAGE CURRENT                             | <0.75mA / 240VAC   |              |  |                |                |                |                |
|                 | OVER CURRENT                                | 95 ~ 110%<br>Protection type : Constant current limiting, recovers automatically after fault condition is removed  |              |  |                |                |                |                |
|                 | SHORT CIRCUIT                               | Hiccup mode, recovers automatically after fault condition is removed.  |              |  |                |                |                |                |
|                 | OVER VOLTAGE                                | 13.8 ~ 16V   | 17.5 ~ 21V   | 23 ~ 26V                                       | 28 ~ 32V       | 31 ~ 35V       | 41 ~ 46V       | 54 ~ 60V       |
| ENVIRONMENT     | OVER TEMPERATURE                            | Shut down o/p voltage, recovers automatically after temperature goes down  |              |  |                |                |                |                |
|                 | WORKING TEMP.                               | -30 ~ +50 $^{\circ}$ C (Refer to "Derating Curve")   |              |  |                |                |                |                |
|                 | WORKING HUMIDITY                            | 20 ~ 95% RH non-condensing   |              |  |                |                |                |                |
|                 | STORAGE TEMP., HUMIDITY                     | -40 ~ +80 $^{\circ}$ C, 10 ~ 95% RH  |              |  |                |                |                |                |
|                 | TEMP. COEFFICIENT                           | $\pm 0.03\%/^{\circ}$ C (0 ~ 50 $^{\circ}$ C)  |              |  |                |                |                |                |
| SAFETY & EMC    | VIBRATION                                   | 10 ~ 500Hz, 2G 12min./1cycle, period for 72min. each along X, Y, Z axes  |              |  |                |                |                |                |
|                 | SAFETY STANDARDS                            | UL1310, TUV BS EN/EN61347-1, BS EN/EN61347-2-13, CAN/CSA C22.2 No. 223-M91(except for 48V), EAC TP TC 004 approved |              |  |                |                |                |                |
|                 | WITHSTAND VOLTAGE                           | I/P-O/P:3.75KVAC   |              | I/P-FG:2KVAC                                   |                | O/P-FG:0.5KVAC |                |                |
|                 | ISOLATION RESISTANCE                        | I/P-O/P:100M Ohms / 500VDC / 25 $^{\circ}$ C / 70% RH  |              |  |                |                |                |                |
| OTHERS          | EMC EMISSION                                | Compliance to BS EN/EN55015, BS EN/EN61000-3-2 Class C ( $\geq 75\%$ load) ; BS EN/EN61000-3-3,EAC TP TC 020       |              |  |                |                |                |                |
|                 | EMC IMMUNITY                                | Compliance to BS EN/EN61000-4-2,3,4,5,6,8,11, BS EN/EN55024,BS EN/EN61547, light industry level ,EAC TP TC 020     |              |  |                |                |                |                |
|                 | MTBF  | 3445.4K hrs min. Telcordia SR-332 (Bellcore)   |              | 515.0Khrs min. MIL-HDBK-217F (25 $^{\circ}$ C) |                |                |                |                |
| PACKING         | DIMENSION                                   | 181.5*62*35mm (L*W*H)  |              |  |                |                |                |                |
|                 | PACKING                                     | 0.41Kg; 30pcs/13.3Kg/0.67CUFT  |              |  |                |                |                |                |

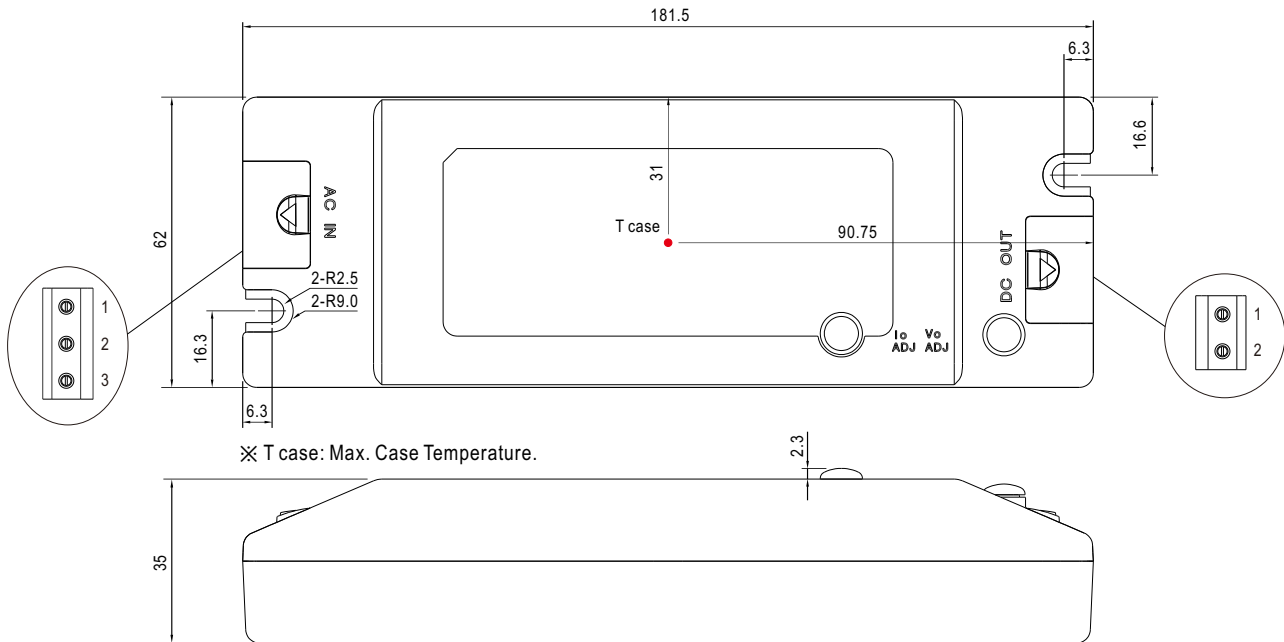
NOTE

- All parameters NOT specially mentioned are measured at 230VAC input, rated load and 25 $^{\circ}$ C of ambient temperature.
- Ripple & noise are measured at 20MHz of bandwidth by using a 12" twisted pair-wire terminated with a 0.1 $\mu$ f & 47 $\mu$ f parallel capacitor.
- Tolerance : includes set up tolerance, line regulation and load regulation.
- Derating may be needed under low input voltage. Please check the static characteristics for more details.
- Output voltage can be adjusted through the SVR1 on the PCB ; limit of output constant current level can be adjusted through the SVR2 on the PCB.
- Please refer to "DRIVING METHODS OF LED MODULE".
- The power supply is considered as a component that will be operated in combination with final equipment. Since EMC performance will be affected by the complete installation, the final equipment manufacturers must re-qualify EMC Directive on the complete installation again. (as available on [https://www.meanwell.com/Upload/PDF/EML\\_statement\\_en.pdf](https://www.meanwell.com/Upload/PDF/EML_statement_en.pdf))
- Direct connecting to LEDs is suggested, but is not suitable for using additional drivers.
- To fulfill requirements of the latest ErP regulation for lighting fixtures, this LED power supply can only be used behind a switch without permanently connected to the mains.
- The ambient temperature derating of 3.5 $^{\circ}$ C/1000m with fanless models and of 5 $^{\circ}$ C/1000m with fan models for operating altitude higher than 2000m(6500ft).

※ Product Liability Disclaimer : For detailed information, please refer to <https://www.meanwell.com/serviceDisclaimer.aspx>

■ Mechanical Specification

Case No.991A Unit:mm Tolerance:±1



※ T case: Max. Case Temperature.

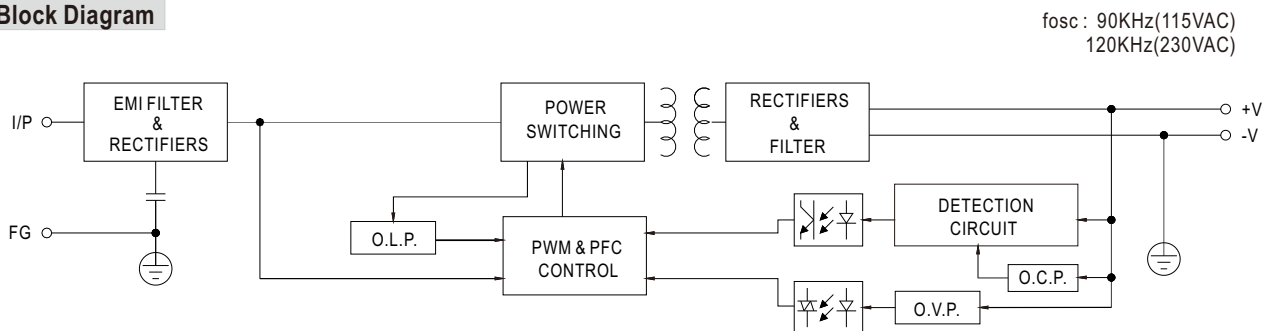
Terminal Pin No. Assignment (TB1):  
SWITCHLAB MB310-75003

| Pin No. | Assignment |
|---------|------------|
| 1       | AC/L       |
| 2       | AC/N       |
| 3       | FG ⊕       |

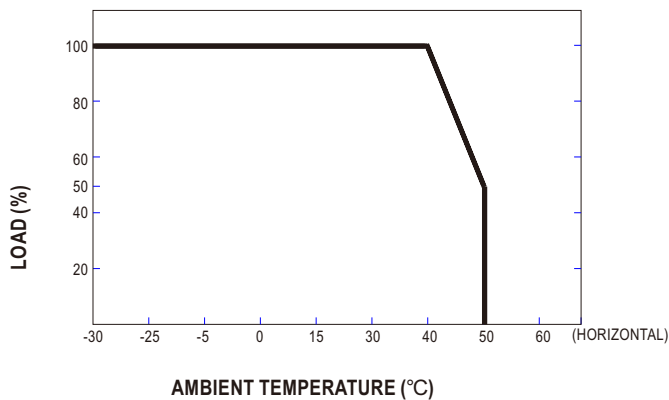
Terminal Pin No. Assignment (TB2):  
SWITCHLAB MB310-75002

| Pin No. | Assignment |
|---------|------------|
| 1       | +V         |
| 2       | -V         |

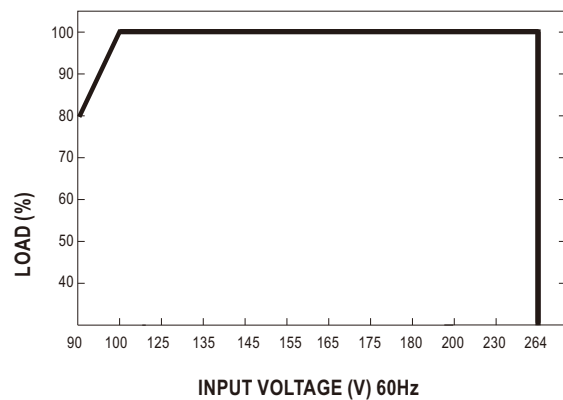
■ Block Diagram



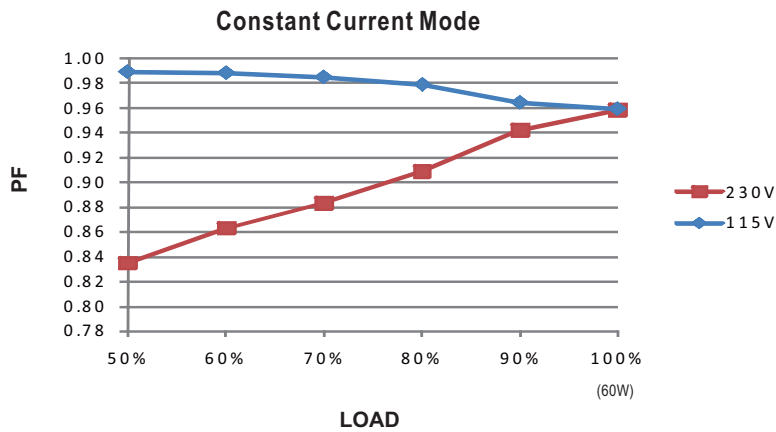
■ Derating Curve



■ Static Characteristics

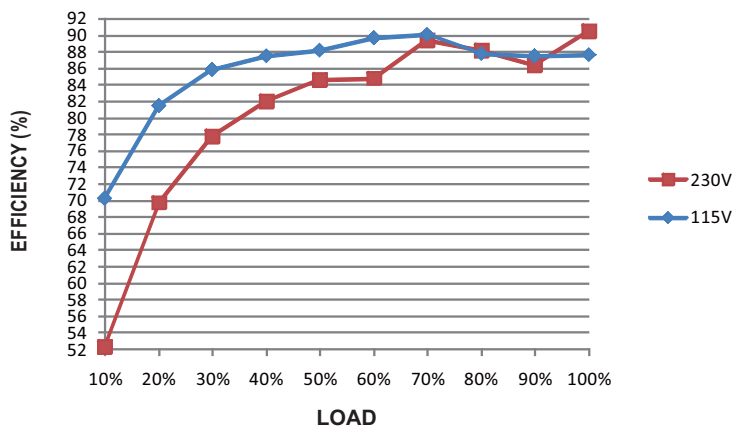


**Power Factor Characteristic**



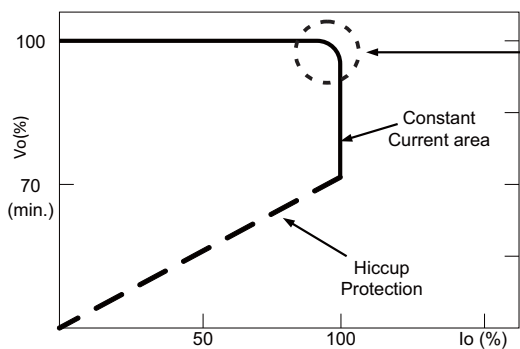
**EFFICIENCY vs LOAD (48V Model)**

PLC-60 series possess superior working efficiency that up to 89% can be reached in field applications.



**DRIVING METHODS OF LED MODULE**

This LED power supply is suggested to work in constant current mode area (CC) to drive the LEDs.



Typical LED power supply I-V curve

In the constant current region, the highest voltage at the output of the driver depends on the configuration of the end systems.  
Should there be any compatibility issues, please contact MEAN WELL.