



1500W With Parallel Function

SCN-1K5 series



■ Features :

- AC 200~260V input only
- Protections: Short circuit/ Over voltage/Over load/ Over temp.
- High reliability/ Low ripple noise
- Built-in remote sense function
- Built-in remote ON-OFF control
- With parallel function
- Can adjust from 20~100% output voltage by external control 1-5V
- Forced air cooling by built-in DC fan
- Case coating with paint
- 2 years warranty

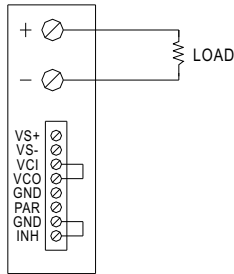
Parallel

SPECIFICATION

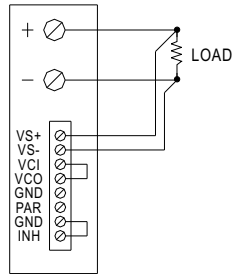
| ORDER NO.              | SCN-1K5-12   | SCN-1K5-15   | SCN-1K5-24 | SCN-1K5-48 |           |
|------------------------|--|--|------------|------------|-----------|
| OUTPUT                 | MODEL NO.  | 1K5S-N012  | 1K5S-N015  | 1K5S-N024  | 1K5S-N048 |
|                        | DC VOLTAGE   | 12V  | 15V        | 24V        | 48V       |
|                        | RATED CURRENT  | 125A   | 100A       | 62.5A      | 32A       |
|                        | CURRENT RANGE  | 0 ~ 125A   | 0 ~ 100A   | 0 ~ 62.5A  | 0 ~ 32A   |
|                        | RATED POWER  | 1500W  | 1500W      | 1500W      | 1536W     |
|                        | RIPPLE & NOISE (max.) Note.2   | 120mVp-p   | 150mVp-p   | 240mVp-p   | 480mVp-p  |
|                        | VOLTAGE ADJ. RANGE   | ±5.0% typical adjustment by potentiometer 20~100% adjustment by 1~5VDC external control                                |            |            |           |
|                        | VOLTAGE TOLERANCE Note.3   | ±1.0%  | ±1.0%      | ±1.0%      | ±1.0%     |
|                        | LINE REGULATION  | ±0.5%  | ±0.5%      | ±0.5%      | ±0.5%     |
|                        | LOAD REGULATION  | ±0.5%  | ±0.5%      | ±0.5%      | ±0.5%     |
| SETUP, RISE, HOLD TIME | 800ms, 50ms, 16ms at full load   |  |            |            |           |
| INPUT                  | VOLTAGE RANGE  | 200 ~ 260VAC 290~370VDC  |            |            |           |
|                        | FREQUENCY RANGE  | 47~63Hz  |            |            |           |
|                        | EFFICIENCY (Typ.)  | 83%  | 84%        | 85%        | 87%       |
|                        | AC CURRENT   | 12A / 230VAC   |            |            |           |
|                        | INRUSH CURRENT (max.)  | 120A / 230VAC  |            |            |           |
|                        | LEAKAGE CURRENT(max.)  | 3.5mA / 240VAC   |            |            |           |
| PROTECTION             | OVER LOAD  | 110~135% rated output power<br>Protection type : Current limiting, delay shut down o/p voltage, re-power on to recover |            |            |           |
|                        | OVER VOLTAGE   | 110~135% follow to output set up point<br>Protection type : Shut down o/p voltage, re-power on to recover              |            |            |           |
|                        | OVER TEMPERATURE   | >100°C / measure by heat sink, near transformer<br>Protection type : Shut down o/p voltage, re-power on to recover     |            |            |           |
| ENVIRONMENT            | WORKING TEMP.  | -10~+65°C (Refer to output load derating curve)  |            |            |           |
|                        | WORKING HUMIDITY   | 20%~90% RH non-condensing  |            |            |           |
|                        | STORAGE TEMP., HUMIDITY  | -20~+85°C 10~95% RH  |            |            |           |
|                        | TEMP. COEFFICIENT  | ±0.04% / °C (0~50°C)   |            |            |           |
|                        | VIBRATION  | 10~200Hz, 2G 10min./1cycle, period for 60min. each along X, Y, Z axes  |            |            |           |
| SAFETY & EMC (Note. 4) | SAFETY STANDARDS   | Design refer to UL1950, CSA22.2, IEC60950  |            |            |           |
|                        | WITHSTAND VOLTAGE  | I/P-O/P, I/P-FG:1500VAC  |            |            |           |
|                        | ISOLATION RESISTANCE   | I/P-O/P, I/P-FG, >100M Ohms / 500VDC   |            |            |           |
|                        | EMI CONDUCTION & RADIATION   | Design refer to FCC part 15 class A  |            |            |           |
|                        | HARMONIC CURRENT   | ----   |            |            |           |
|                        | EMS IMMUNITY   | ----   |            |            |           |
| OTHERS                 | MTBF   | 60khrs min. MIL-HDBK-217F (25°C)   |            |            |           |
|                        | DIMENSION  | 291*132*132mm (L*W*H)  |            |            |           |
|                        | PACKING  | 4.5kg; 4pcs / 20kg / CARTON  |            |            |           |
|                        | SPECIAL FUNCTION   | DC voltage adj., Remote sensing, remote control, parallel operation (refer to terminal instruction manual)             |            |            |           |
| NOTE                   | <p>1.All parameters are specified at 230VAC input, rated load, 25°C 70% RH. Ambient.</p> <p>2.Tolerance: includes set up tolerance, line regulation, load regulation.</p> <p>3.Ripple &amp; noise are measured at 20MHz by using a 12" twisted pair terminated with a 0.1uf &amp; 47uf capacitor.</p> <p>4.The power supply is considered a component which will be installed into a final equipment. The final equipment must be re-confirmed that it still meets EMC directives.</p> |  |            |            |           |



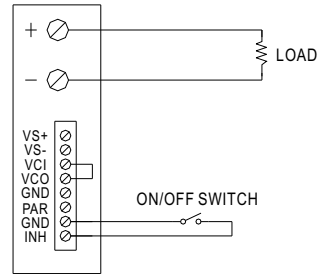
■ Control terminal instruction manual



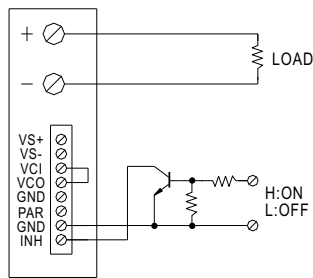
USING INTERNAL VOLTAGE CONTROL



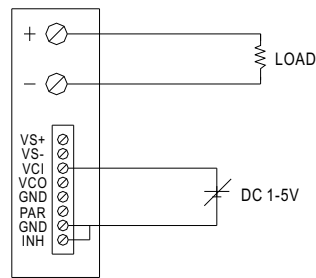
REMOTE SENSING



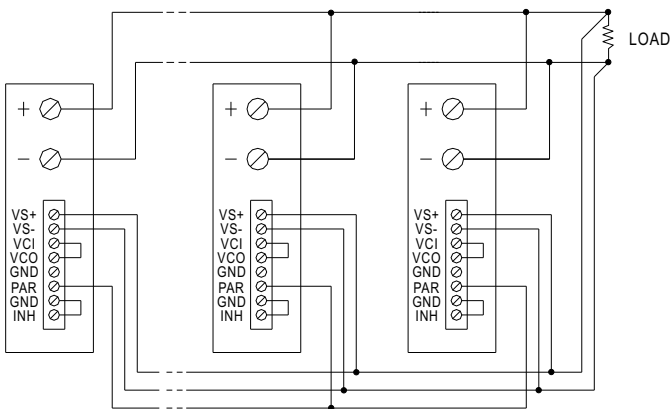
ON/OFF CONTROL BY SWITCH



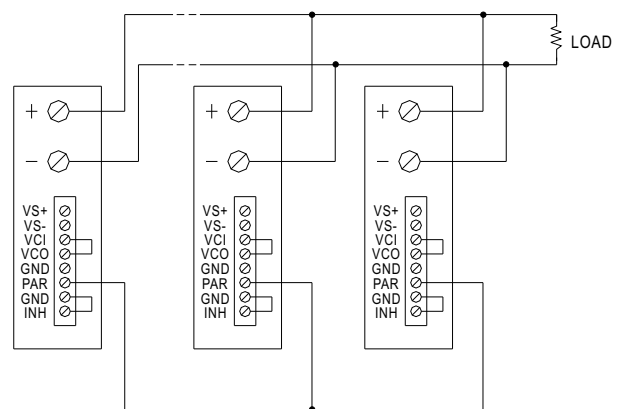
ON/OFF CONTROL BY TRANSISTOR



OUTPUT VOLTAGE ADJUST WITH DC 1-5V



PARALLEL OPERATION WITH REMOTE SENSING



PARALLEL OPERATION