



350W ATX PC Power Supply

YP-450A-AA



■ Features :

- AC input range selected by switch
- With +5VSB:0 ~ 2.0A max.
- Power good signal output
- Power fail signal output
- Power ON-OFF switch
- High efficiency / Low cost
- Forced air cooling by built-in DC fan
- 100% full load burn-in test
- Approvals: CSA / FCC
- 1 year warranty

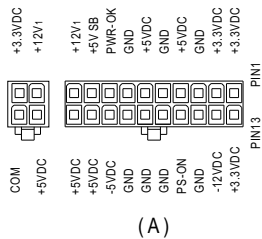
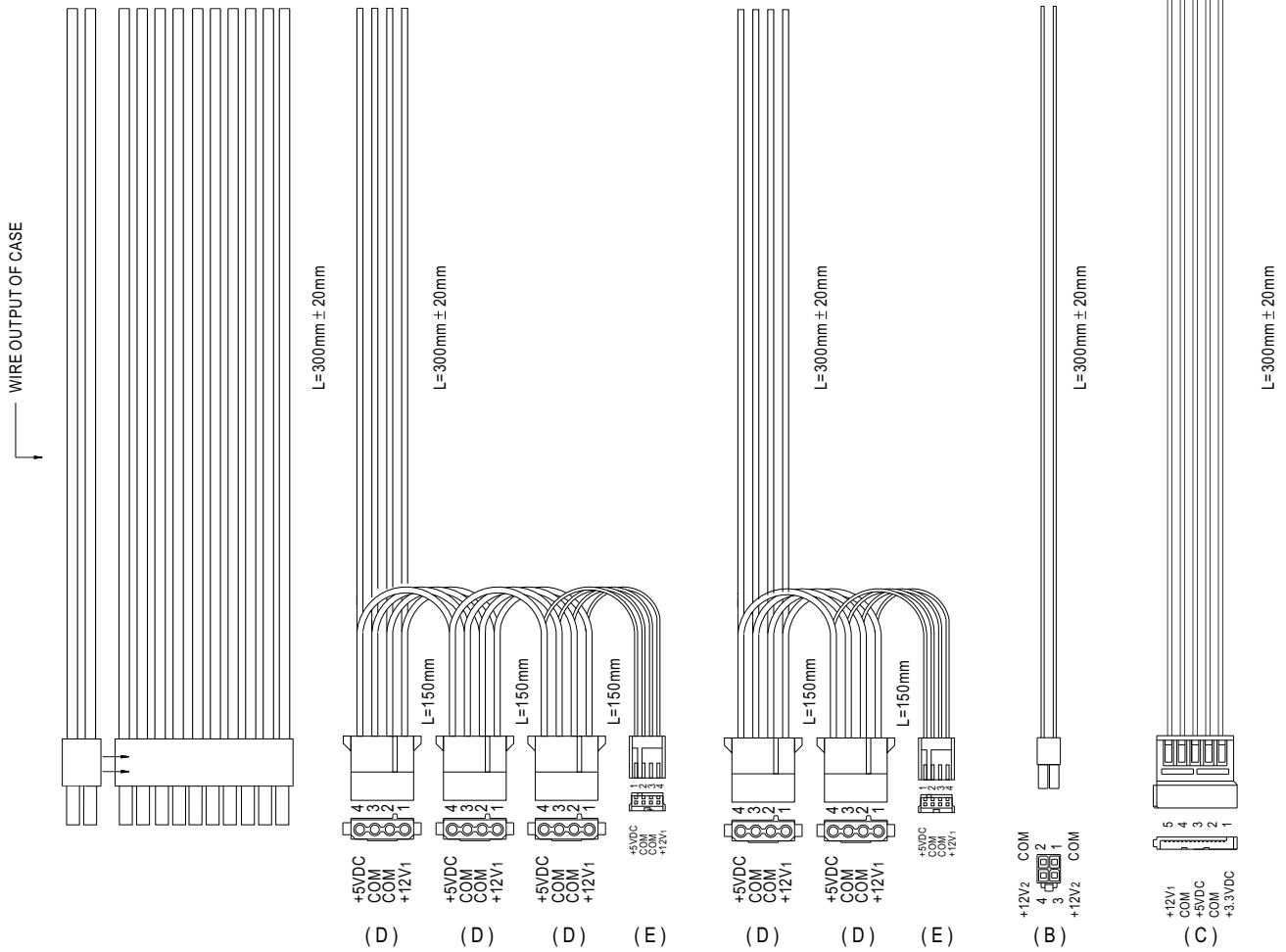
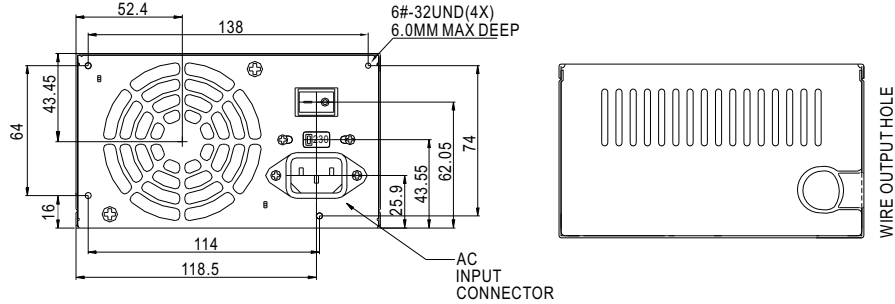


SPECIFICATION

| ORDER NO. | YP-450A-AA | | | | | | | |
|-----------------------|------------------------------|---|---------|------------------|------------------|---------|----------|---------|
| OUTPUT | SAFETY MODEL NO. | YP-450-A | | | | | | |
| | CHANNEL | CH1 | CH2 | CH3 | CH4 | CH5 | CH6 | STANDBY |
| | DC VOLTAGE | 3.3V | 5V | 12V ₁ | 12V ₂ | -5V | -12V | 5VSB |
| | MINIMUM CURRENT | 2A | 2A | 1A | 1A | 0.1A | 0.1A | 0A |
| | RATED CURRENT | 15A | 14A | 7A | 10A | 0.3A | 0.8A | 2.0A |
| | MAXIMUM CURRENT | 22A | 21A | 10A | 15A | 0.3A | 0.8A | 2.0A |
| | COMBINE LOAD | +3.3V, +5V 130W max. +3.3V, +5V, +12V 330W max. | | | | | | |
| | RATED POWER (max.) | 350W | | | | | | |
| | RIPPLE & NOISE (max.) Note.2 | 50mVp-p | 50mVp-p | 120mVp-p | 120mVp-p | 50mVp-p | 120mVp-p | 50mVp-p |
| | LINE REGULATION | ±1.0% | ±1.0% | ±1.0% | ±1.0% | ±2.0% | ±2.0% | ±1.0% |
| | LOAD REGULATION Note.3 | ±5.0% | ±5.0% | ±5.0% | ±5.0% | ±10% | ±10% | ±5.0% |
| HOLD UP TIME | 8ms min. at full load | | | | | | | |
| INPUT | VOLTAGE RANGE | 103 ~ 132VAC / 206 ~ 264VAC selected by switch | | | | | | |
| | FREQUENCY RANGE | 47 ~ 63Hz | | | | | | |
| | EFFICIENCY (Typ.) | 70% | | | | | | |
| | AC CURRENT | 8.0A / 115VAC 4.5A / 230VAC | | | | | | |
| | INRUSH CURRENT (max.) | 40A / 115VAC 80A / 230VAC | | | | | | |
| | LEAKAGE CURRENT (max.) | 3.5mA / 240VAC | | | | | | |
| PROTECTION | OVERLOAD | 105 ~ 180% rated output power Protection type : Shut down o/p voltage, re-power on to recover | | | | | | |
| | OVER VOLTAGE | +3.3V, +5V, +12V ₁ , +12V ₂ : 110%~130% of rated voltage Protection type : Shut down o/p voltage, re-power on to recover | | | | | | |
| | SHORT CIRCUIT | All output equipped with short circuit Protection type : Shut down o/p voltage, re-power on to recover | | | | | | |
| FUNCTION | POWER GOOD SIGNAL | The TTL compatible signal out with 100ms to 500ms delay after power set up | | | | | | |
| | POWER FAIL SIGNAL | The TTL compatible signal will go down at least 1ms before +5V below 4.75V | | | | | | |
| | PS-ON INPUT SIGNAL | Power on: PS-ON = "Low" or "<0.8V" ; Power off: PS-ON = "Hi" or ">2V" | | | | | | |
| ENVIRONMENT | WORKING TEMP. | -10 ~ +35°C | | | | | | |
| | WORKING HUMIDITY | 20 ~ 90% RH non-condensing | | | | | | |
| | STORAGE TEMP., HUMIDITY | -20 ~ +85°C, 10 ~ 95% RH | | | | | | |
| | TEMP. COEFFICIENT | ±0.05% / °C (0 ~ 50°C) | | | | | | |
| | VIBRATION | 10 ~ 200Hz, 2G 10min./1cycle, 60min. each along X, Y, Z axes | | | | | | |
| SAFETY & EMC (Note 4) | SAFETY STANDARDS | CSA(C22.2 60950, UL60950) approved | | | | | | |
| | WITHSTAND VOLTAGE | I/P-O/P, I/P-FG:1.5KVAC | | | | | | |
| | ISOLATION RESISTANCE | I/P-O/P, I/P-FG:50M Ohms / 500VDC / 25°C / 70% RH | | | | | | |
| | EMI CONDUCTION & RADIATION | Compliance to FCC part 15 class B | | | | | | |
| OTHERS | MTBF | 100K hrs min. MIL-HDBK-217F (25°C) | | | | | | |
| | CONNECTOR | ATX main power connector * 1ea; +12V power connector * 1ea; Serial ATA connector * 1ea Peripheral power connector * 5 ea; Floppy drive power connector * 2 ea | | | | | | |
| | COOLING | Forced air ventilation by 8cm DC fan | | | | | | |
| | DIMENSION | 150*140*86mm (L*W*H) | | | | | | |
| | PACKING | 1.1kg ; 12pcs / 16kg / CARTON | | | | | | |
| | NOTE | <ol style="list-style-type: none"> 1. All parameters NOT specially mentioned are measured at 230VAC input, rated load and 25°C of ambient temperature. 2. Ripple & noise are measured at 20MHz of bandwidth by using a 12" twisted pair-wire terminated with a 0.1uf & 47uf parallel capacitor. 3. Load regulation is measured from 20% to 100% max. Load. 4. The power supply is considered a component which will be installed into a final equipment. The final equipment must be re-confirmed that it still meets EMC directives. | | | | | | |

Mechanical Specification

Unit: mm



(A) 24 Pin ATX main power connector (or 20+4pin)
Type: MOLEX 39-01-2240 or equivalent

(B) 12V power connector
Type: MOLEX 39-01-2040 or equivalent

(C) Serial ATA connector
Type: MOLEX 88751 or equivalent

(D) Peripheral connector
Type: MOLEX 8981-04P or equivalent

(E) Floppy drive connector
Type: AMP 171822-4 or equivalent



- Features :
- 230VAC input only
- Built-in passive PFC, PF>0.65
- With +5VSB:0 ~ 2.0A max.
- Power good signal output
- Power fail signal output
- Power ON-OFF switch
- High efficiency / Low cost
- Forced air cooling by built-in DC fan
- 100% full load burn-in test
- Approvals: TUV / CE
- 1 year warranty

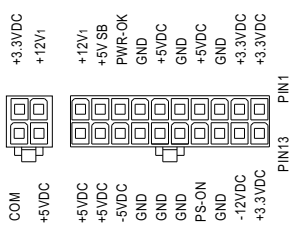
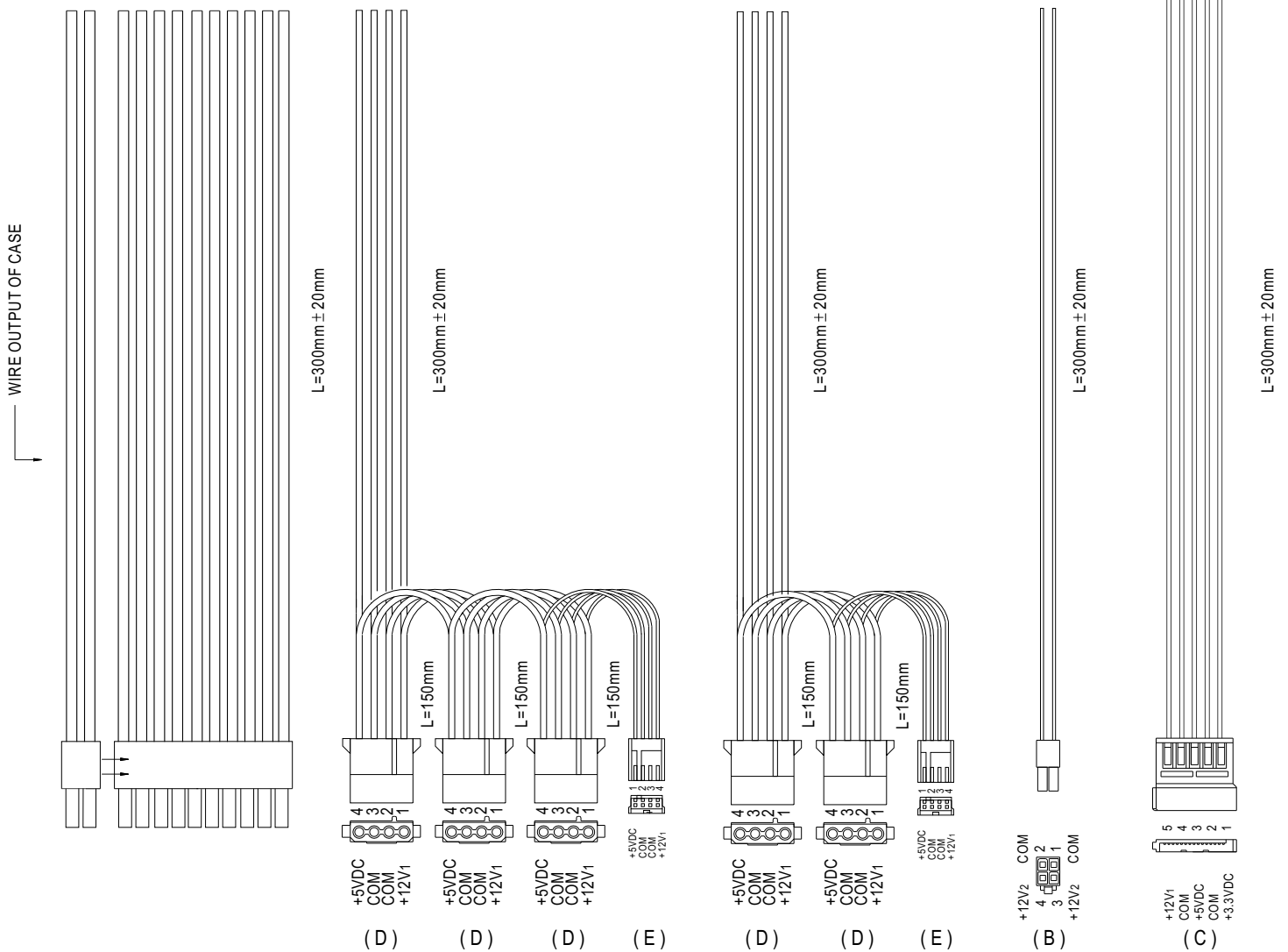
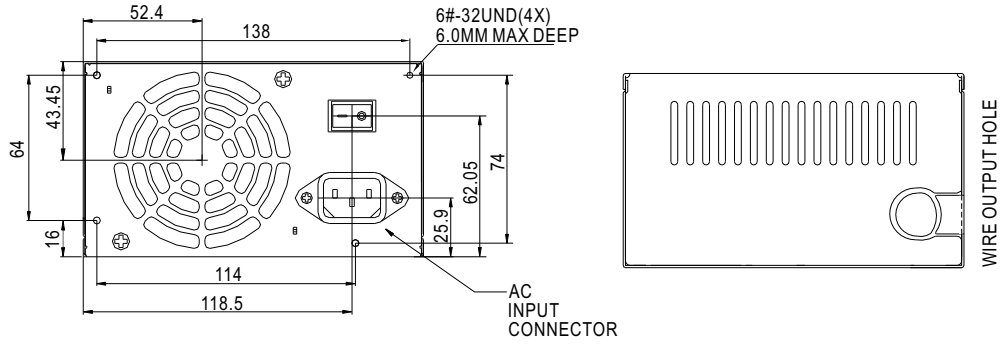


SPECIFICATION

| ORDER NO. | YP-450A-EU | | | | | | | |
|-----------------------|---|--|---------|------------------|------------------|---------|----------|---------|
| OUTPUT | SAFETY MODEL NO. | YP-450-A | | | | | | |
| | CHANNEL | CH1 | CH2 | CH3 | CH4 | CH5 | CH6 | STANDBY |
| | DC VOLTAGE | 3.3V | 5V | 12V ₁ | 12V ₂ | -5V | -12V | 5VSB |
| | MINIMUM CURRENT | 2A | 2A | 1A | 1A | 0.1A | 0.1A | 0A |
| | RATED CURRENT | 15A | 14A | 7A | 10A | 0.3A | 0.8A | 2.0A |
| | MAXIMUM CURRENT | 22A | 21A | 10A | 15A | 0.3A | 0.8A | 2.0A |
| | COMBINE LOAD | +3.3V, +5V 130W max. +3.3V, +5V, +12V 330W max. | | | | | | |
| | RATED POWER (max.) | 350W | | | | | | |
| | RIPPLE & NOISE (max.) Note.2 | 50mVp-p | 50mVp-p | 120mVp-p | 120mVp-p | 50mVp-p | 120mVp-p | 50mVp-p |
| | LINE REGULATION | ±1.0% | ±1.0% | ±1.0% | ±1.0% | ±2.0% | ±2.0% | ±1.0% |
| | LOAD REGULATION Note.3 | ±5.0% | ±5.0% | ±5.0% | ±5.0% | ±10% | ±10% | ±5.0% |
| | HOLD UP TIME | 8ms min. at full load | | | | | | |
| INPUT | VOLTAGE RANGE | 206 ~ 264VAC | | | | | | |
| | FREQUENCY RANGE | 47 ~ 63Hz | | | | | | |
| | POWER FACTOR (Typ.) | PF>0.65 / 230VAC | | | | | | |
| | EFFICIENCY (Typ.) | 70% | | | | | | |
| | AC CURRENT | 5A / 230VAC | | | | | | |
| | INRUSH CURRENT (max.) | 80A / 230VAC | | | | | | |
| | LEAKAGE CURRENT (max.) | 3.5mA / 240VAC | | | | | | |
| PROTECTION | OVERLOAD | 105 ~ 180% rated output power Protection type : Shut down o/p voltage, re-power on to recover | | | | | | |
| | OVER VOLTAGE | +3.3V, +5V, +12V ₁ , +12V ₂ : 110%~130% of rated voltage Protection type : Shut down o/p voltage, re-power on to recover | | | | | | |
| | SHORT CIRCUIT | All output equipped with short circuit Protection type : Shut down o/p voltage, re-power on to recover | | | | | | |
| FUNCTION | POWER GOOD SIGNAL | The TTL compatible signal out with 100ms to 500ms delay after power set up | | | | | | |
| | POWER FAIL SIGNAL | The TTL compatible signal will go down at least 1ms before +5V below 4.75V | | | | | | |
| | PS-ON INPUT SIGNAL | Power on: PS-ON = "Low" or "<0.8V"; Power off: PS-ON = "Hi" or ">2V" | | | | | | |
| ENVIRONMENT | WORKING TEMP. | -10 ~ +35°C | | | | | | |
| | WORKING HUMIDITY | 20 ~ 90% RH non-condensing | | | | | | |
| | STORAGE TEMP., HUMIDITY | -20 ~ +85°C, 10 ~ 95% RH | | | | | | |
| | TEMP. COEFFICIENT | ±0.05% / °C (0 ~ 50°C) | | | | | | |
| | VIBRATION | 10 ~ 200Hz, 2G 10min./1cycle, 60min. each along X, Y, Z axes | | | | | | |
| SAFETY & EMC (Note 4) | SAFETY STANDARDS | TUV EN60950-1 approved | | | | | | |
| | WITHSTAND VOLTAGE | I/P-O/P, I/P-FG:1.5KVAC | | | | | | |
| | ISOLATION RESISTANCE | I/P-O/P, I/P-FG:50M Ohms / 500VDC / 25°C / 70% RH | | | | | | |
| | EMI CONDUCTION & RADIATION | Compliance to EN55022 (CISPR22) class B | | | | | | |
| | HARMONIC CURRENT | Compliance to EN61000-3-2,-3 | | | | | | |
| OTHERS | EMS IMMUNITY | Compliance to EN61000-4-2,3,4,5,6,8,11, light industry level, criteria A | | | | | | |
| | MTBF | 100K hrs min. MIL-HDBK-217F (25°C) | | | | | | |
| | CONNECTOR | ATX main power connector * 1ea; +12V power connector * 1ea; Serial ATA connector * 1ea Peripheral power connector * 5 ea; Floppy drive power connector * 2 ea | | | | | | |
| | COOLING | Forced air ventilation by 8cm DC fan | | | | | | |
| | DIMENSION | 150*140*86mm (L*W*H) | | | | | | |
| | PACKING | 1.1kg ; 12pcs / 16kg / CARTON | | | | | | |
| NOTE | <ol style="list-style-type: none"> All parameters NOT specially mentioned are measured at 230VAC input, rated load and 25°C of ambient temperature. Ripple & noise are measured at 20MHz of bandwidth by using a 12" twisted pair-wire terminated with a 0.1uf & 47uf parallel capacitor. Load regulation is measured from 20% to 100% max. Load. The power supply is considered a component which will be installed into a final equipment. The final equipment must be re-confirmed that it still meets EMC directives. | | | | | | | |

Mechanical Specification

Unit: mm



(A)

(A) 24 Pin ATX main power connector (or 20+4 pin)
Type: MOLEX 39-01-2240 or equivalent

(B) +12V power connector
Type: MOLEX 39-01-2040 or equivalent

(C) Serial ATA connector
Type: MOLEX 88751 or equivalent

(D) Peripheral connector
Type: MOLEX 8981-04P or equivalent

(E) Floppy drive connector
Type: AMP 171822-4 or equivalent